

INSTRUCTION BOOKI

ZANUSSI

**REFRIGERATOR-
FREEZER**

DF 78/30 FF

CONTENTS

| | |
|---|---------|
| Important information | page 3 |
| Installation | page 4 |
| Positioning | page 4 |
| The electrical connections | page 4 |
| Door reversal directions | page 5 |
| Your appliance | page 6 |
| Operation | page 7 |
| Refrigerator/Freezer - Starting-up and temperature regulation | page 7 |
| The freezer compartment | page 7 |
| Temperature control | page 7 |
| Frozen food storage | page 7 |
| Freezing fresh food | page 8 |
| Thawing | page 8 |
| Ice making | page 8 |
| Fresh food refrigeration | page 8 |
| Defrosting | page 8 |
| Maintenance | page 9 |
| Replacing the interior light bulb | page 9 |
| Servicing | page 9 |
| Service Centres | page 10 |
| Guarantee conditions | page 15 |

TECHNICAL SPECIFICATIONS

| | | |
|------------|--------|--------|
| DIMENSIONS | Height | 170 cm |
| | Width | 60 cm |
| | Depth | 55 cm |

POWER SUPPLY VOLTAGE AND FREQUENCY 220-240 V / 50 Hz

TOTAL POWER ABSORBED 140 W

AVERAGE DAILY UNITS ELECTRICITY 2.10 kWh

| | | |
|----------------|---------|-------|
| GROSS CAPACITY | Fridge | 220 l |
| | Freezer | 85 l |

| | | |
|--------------|---------|-------|
| NET CAPACITY | Fridge | 215 l |
| | Freezer | 65 l |

STAR RATING *******

This appliance complies with the E.E.C. Directive No. 87/308 of 2.6.87 relative to radio interference suppression.

IMPORTANT INFORMATION

IT IS MOST IMPORTANT THAT THIS INSTRUCTION BOOK SHOULD BE RETAINED WITH THE APPLIANCE FOR FUTURE REFERENCE. SHOULD THE APPLIANCE BE SOLD OR TRANSFERRED TO ANOTHER OWNER, OR SHOULD YOU MOVE HOUSE AND LEAVE THE APPLIANCE, ALWAYS ENSURE THAT THE BOOK IS SUPPLIED WITH THE APPLIANCE IN ORDER THAT THE NEW OWNER CAN BE ACQUAINTED WITH THE FUNCTIONING OF THE APPLIANCE AND THE RELEVANT WARNINGS.

THESE WARNINGS ARE PROVIDED IN THE INTEREST OF SAFETY. YOU MUST READ THEM CAREFULLY BEFORE INSTALLING OR USING THE APPLIANCE.

Warnings

- This appliance is designed to be operated by adults. Children should not be allowed to tamper with the controls or play with the product.
- Any electrical work required to install this appliance should be carried out by a qualified electrician or competent person.
- This product should be serviced by an authorized Service Force Centre, and only genuine spare parts should be used.
- It is dangerous to alter the specifications or modify this product in any way.
- Care must be taken to ensure that the appliance does not stand on the electrical supply cable.
- The domestic refrigerators and fridge/freezers are designed to be used specifically for the storage of edible foodstuffs only.
- Frozen food must not be re-frozen once it has been thawed out.
- Manufacturers' storage recommendations should be strictly adhered to. Refer to relevant instructions.
- There are working parts in this product which heat up. Always ensure that there is adequate ventilation as a failure to do this will result in component failure and possible food loss. See installation instructions.
- Parts which heat up should not be exposed. Wherever possible the back of the product should be against a wall.
- Before any cleaning or maintenance work is carried out, be sure to switch off the appliance and unplug.
- The inner lining of the appliance consists of channels through which the refrigerant passes. If this should be punctured this would damage the appliance beyond repair and cause food loss. **DO NOT USE SHARP INSTRUMENTS** to scrape off frost or ice. Frost may be removed by using the scraper provided. Under no circumstances should solid ice be forced off the liner. Solid ice should be allowed to thaw when defrosting the appliance. See defrost instructions.
- The appliance should be left for 2 hours after installation before it is turned on in order to allow the refrigerant to settle.
- Do not place carbonated or fizzy drinks in the freezer as it creates pressure on the container, which may cause it to explode, resulting in damage to the appliance.
- This appliance is heavy. Care should be taken when moving it.
- Ice lollies can cause frost burns if consumed straight from the freezer.
- Under no circumstances should you attempt to repair the appliance yourself. Repairs carried out by inexperienced persons may cause injury or more serious malfunctioning. Refer to your local Zanussi Service Force Centre, and always insist on genuine spare parts.

INSTALLATION

Warning

IF YOU ARE DISCARDING AN OLD APPLIANCE THAT HAS A LOCK OR CATCH ON THE DOOR, PLEASE ENSURE THAT IT IS MADE UNUSABLE TO PREVENT YOUNG CHILDREN BEING TRAPPED INSIDE.

Depending upon the position which you choose for your appliance, you may wish to reverse the way in which the door opens. To do this, refer to instructions on "Door reversal directions" paragraph.

Positioning

For this appliance to work efficiently, it should be located away from heat sources, e.g. cookers, radiators, boilers, direct sunlight etc. This also includes locations or rooms where the ambient temperature reaches above 32 degrees C or drops below 16 degrees (e.g. conservatories).

You should also ensure that air can circulate freely around the back and the top of the cabinet. There must also be at least 5 mm distance between the top of the cabinet and any overhanging kitchen furniture (Fig. 1-A). Ideally, the appliance should not be positioned beneath overhanging furniture (Fig. 1-B).

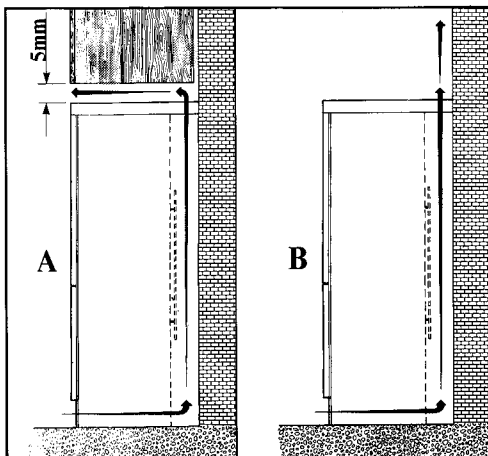


Fig. 1

Do not obstruct the space underneath. The back of the cabinet may be placed close to the wall but must not touch it. DO NOT install in places with restricted ventilation.

Adjust the level of the appliance by screwing out the adjustable foot, or feet, at the bottom of the cabinet using your fingers or a spanner (see Fig. 2).

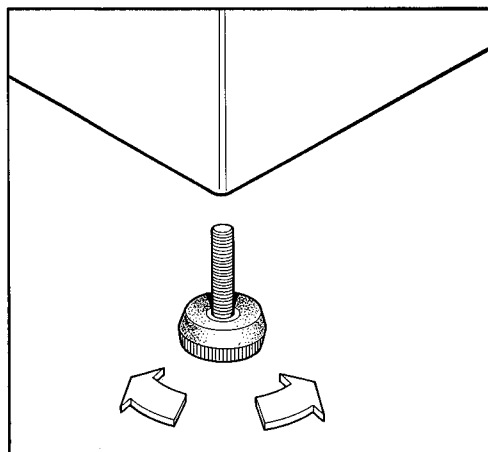


Fig. 2

The electrical connections

WARNING

THIS APPLIANCE MUST BE EARTHED.

The manufacturer declines any liability should this safety measure not be observed.

If the plug that is fitted to your appliance is not suitable for your socket outlet, it must be cut off and the appropriate plug fitted.

Remove the fuse from the cut off plug.

The plug should then be disposed of to prevent the hazard of electric shocks in case it should be plugged into a 13 Amp socket in another part of your home.

Important

The wires in the mains lead are colour coded in accordance with the following code:

| | |
|------------------|---------|
| Green and Yellow | Earth |
| Blue | Neutral |
| Brown | Live |

If you fit your own plug, the colours of the wires in the mains lead of your appliance may not correspond with the markings identifying the terminals in your plug, proceed as follows:

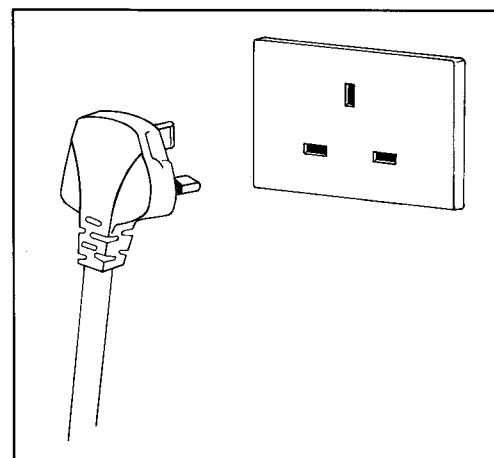


Fig. 3

Connect the green and yellow (earth) wire to the terminal in the plug which is marked with the letter «E» or the earth symbol \oplus , or coloured green, or green and yellow.

Connect the blue (neutral) wire to the terminal in the plug which is marked with the letter «N» or coloured black.

Connect the brown (live) wire to the terminal in the plug which is marked with the letter «L» or coloured red.

The plug moulded onto the lead incorporates a fuse. For replacement use a 13 Amp BS 1362 fuse. Only ASTA approved fuses should be used.

The fuse cover/carrier must be replaced in the event of changing a fuse.

The fuse cover/carrier is the one shown by the coloured insert at the base of the plug or is the colour of the inscription at the base of the plug.

The plug must NOT be used if the fuse cover/carrier is lost.

A replacement cover/carrier must be obtained from your local Zanussi Service Force Centre whose address is listed in your local telephone directory under «Z».

Please ensure that when the appliance is installed it is easily accessible for the engineer in the event of a breakdown.

Before using

Remove all securing tapes. Wash inside the appliance with lukewarm water and a little bicarbonate of soda (one teaspoonful to one quart of water). Do not use soap or detergent as the smell might linger. Dry thoroughly.

Door reversal directions

Unplug the appliance from the power supply before carrying out the below-mentioned operations.

Remove the ventilation grill (D-Fig. 4).

Unscrew the bottom hinge (E-Fig. 4).

Remove the freezer door by releasing it from the middle hinge.

Unscrew the middle hinge (Fig. 5).

Remove the fridge door by releasing it from the top hinge pin.

Remove the pin and the washer (A+B-Fig. 6) from the top hinge (C), then mount these on the opposite side.

Refit the fridge door.

Replace the middle hinge to the left hand side.

Replace the freezer door.

Screw down the bottom hinge (E-Fig. 4) on the opposite side by using the screws previously removed.

Detach the plug (F-Fig. 4) from the ventilation grill (D). To do this, press it in the direction of the arrow.

Introduce the plug (G), which is delivered with the appliance, into the hole left free on the opposite side.

Re-assemble the ventilation grill.

Change position of handles.

The holes which are not used are masked by plastic plugs which should be removed and refitted onto the free holes.

The door alignment can be effected by adjusting the middle hinge.

Attention

After completion of the door reversal operation, verify that the door gasket is adherent to the cabinet. If the ambient temperature is cold (i.e. in Winter), the gasket may not fit perfectly to the cabinet. In that case, wait for the natural fitting of the gasket or accelerate this process by heating up the part involved with a normal hairdrier.

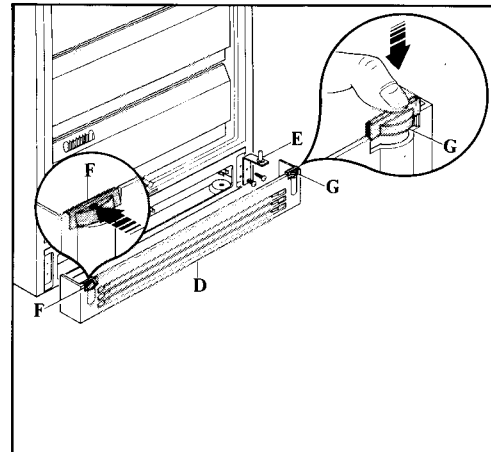


Fig. 4

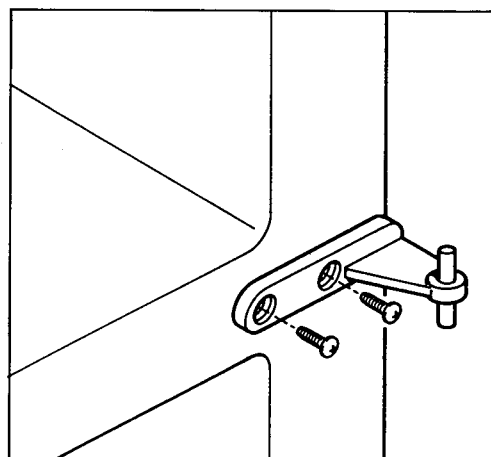


Fig. 5

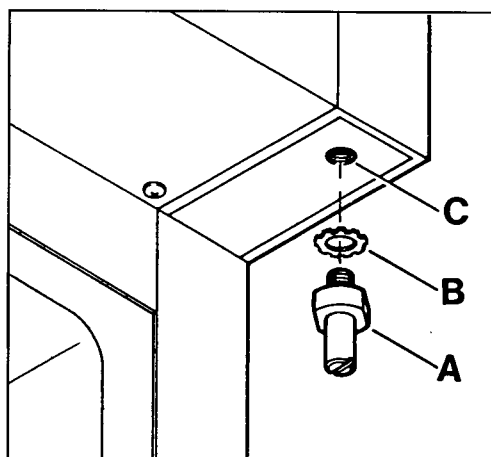
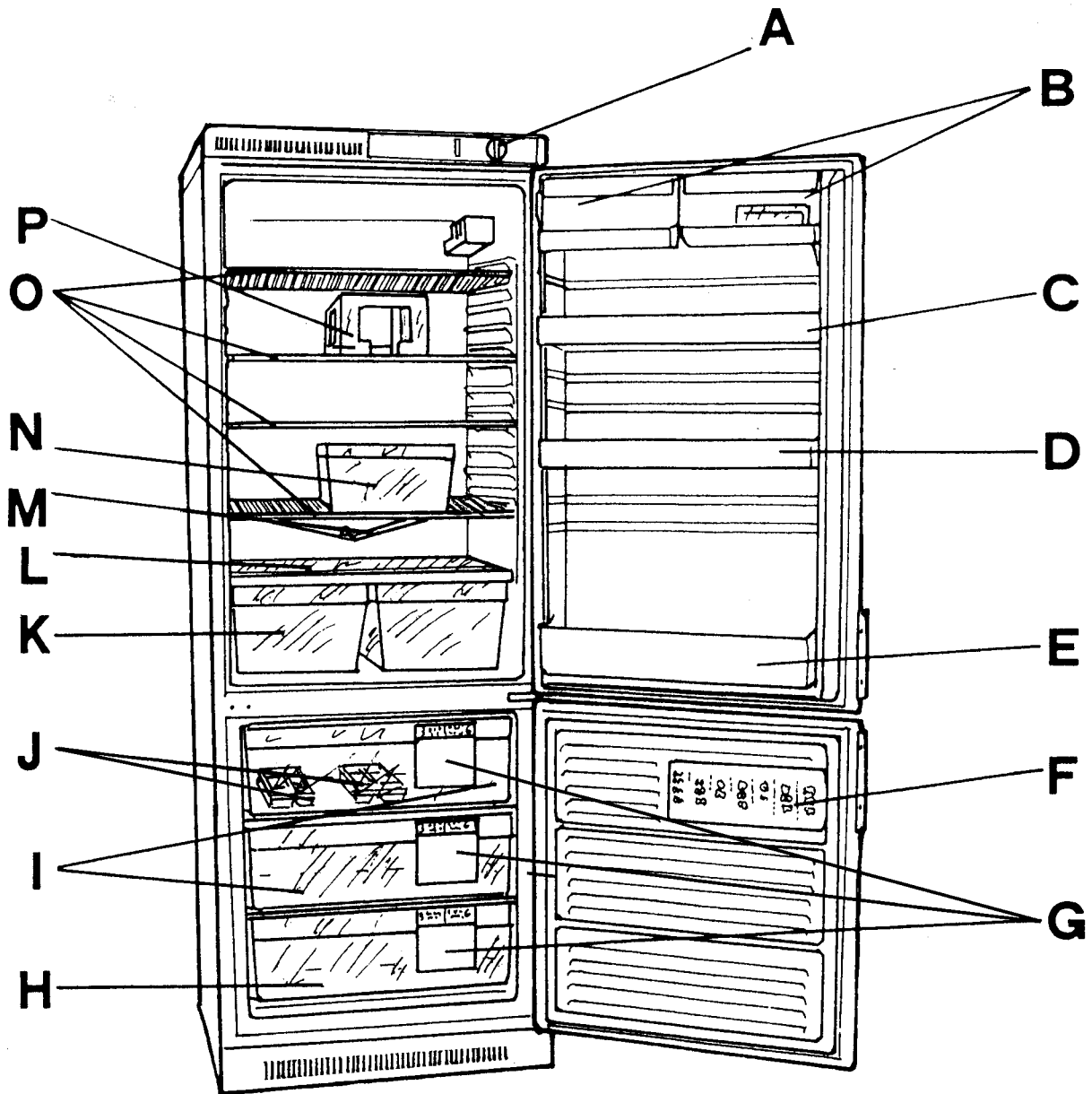


Fig. 6

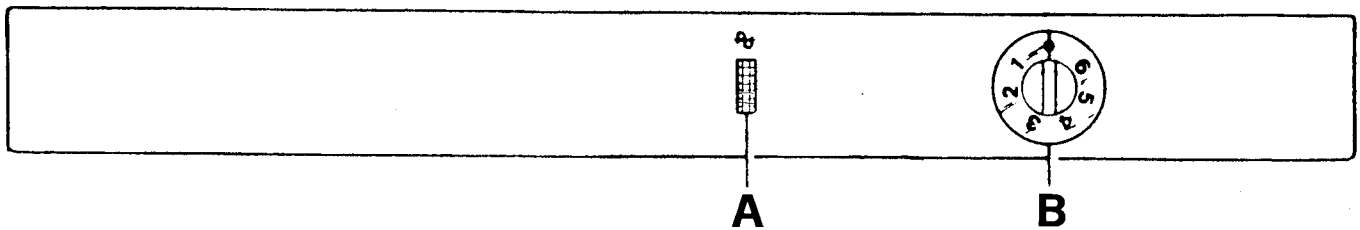
YOUR APPLIANCE



- | | |
|---|--|
| A - Thermostat control for both compartments | H - Freezing fresh foods |
| B - Dairy compartments (for dairy products to prevent tainting) | I - Frozen food storage |
| C - Shelf with egg trays | J - Ice trays |
| D - Can storage shelf | K - Salad crispers (to keep fruit and vegetables fresh) |
| E - Bottle storage shelf | L - Glass shelf |
| F - Freezer calendar (recommended storage times for frozen foods) | M - Drain channel (fridge) |
| G - Produce storage cards (write on/wipe off cards for recording what has been stored in the freezer and when) | N - Meat box |
| | O - Storage shelves |
| | P - Can rack |

OPERATION

The control panel (Fig. 7)



A - Mains-on light

B - Thermostat knob

Refrigerator/Freezer - Starting-up and temperature regulation

Insert the plug into the wall socket, the mains-on light (A-Fig. 7) illuminates. Turn the thermostat knob, to be found on the top of the cabinet (B-Fig. 7), clockwise, from the «●» position, to start the appliance.

Temperature adjustment is obtained by turning the thermostat knob to the required setting. A medium setting of between 2-4 is generally the most suitable. However, the thermostat knob setting should be adjusted depending on the temperature required inside the appliance.

This, in turn, depends on a number of factors such as the ambient temperature, the number of times the door is opened, the quantity of food stored and the location of the appliance.

Turn the knob clockwise, to higher numbers, to obtain a lower temperature, or anticlockwise if a higher temperature is required.

The freezer compartment

The four-star freezer compartment is suitable for storage of commercially frozen food and for freezing fresh foods.

Temperature control

The temperature within the freezer is controlled by the same thermostat which controls the temperature within the fridge. Normally, it is not necessary to adjust the thermostat setting when freezing fresh food. However, if you wish to fast freeze food then the thermostat control should be turned to the highest number, about one hour before you want to freeze your food.

Remember though, that the fridge compartment temperature could drop below 0°C.

Frozen food storage

If the refrigerator has been out of use for some time, we advise you to run your appliance for at least two hours with the thermostat control to the highest number before storing frozen food.

To obtain the best performance from this appliance, we strongly recommend that you make sure that the commercially frozen foodstuffs were adequately stored by the retailer and, furthermore, be sure that these frozen foodstuffs are transferred from the food-store to the consumer in the shortest possible time (a temperature increase of the frozen food could shorten its storage period).

It is also advisable not to exceed the storage period indicated by the producer of the food.

Finally, do not open the door frequently or leave it open longer than is absolutely necessary.

If there is a power failure when food is in the freezer, do not open the door of the freezing compartment.

The frozen food will not be affected if the power cut is of short duration (a temperature increase of the frozen food could shorten its safe storage period), otherwise, it is recommended that the food should be used within a very short time.

Freezing fresh food

In any 24 hours you can freeze up to 3.5 kg.

If you wish to fast freeze food, turn the thermostat control to the highest number, AT LEAST one hour before you want to freeze your food.

Place food to be frozen on the bottom basket as this is the coldest part.

Only freeze top quality, fresh and thoroughly cleaned foodstuffs.

Do not allow fresh food to touch food which is already frozen.

During the freezing process, ensure that the freezer door remains closed.

Attention

Do not put carbonated liquids, (fizzy drinks etc.), in the freezer compartment.

Water ices, if consumed immediately after removal from the freezer, can possibly result in a low temperature skin burn.

If there is a power failure during the storage of frozen food, do not open the door during the whole time of the failure. If the freezer is fully loaded, the frozen food will not be affected if the power cut is of short duration; otherwise, it is recommended to consume the food within a very short time.

Thawing

Deep frozen or frozen food, prior to being used, can be thawed in the fridge or at room temperature depending on the time available. Small food items may even be cooked from frozen; in this case cooking will take longer.

Any frozen food which is allowed to thaw accidentally should either be eaten as soon as possible or thrown away. Alternatively, if the food is uncooked and has not been completely defrosted it can be cooked and then refrozen.

Defrosted cooked food must never be refrozen.

Ice making

Fill the ice trays with water to the top of each ice cube compartment, and place them in the freezer compartment. To release the ice cubes, twist the tray along its length.

Never use a sharp instrument to remove the ice trays.

Fresh food refrigeration

To obtain the best performance, do not store warm food or evaporating liquids in the refrigerator; do cover or wrap the food, particularly if it has a strong flavour.

Do not cover the shelves with any protective material, such as paper, cardboard or plastic, which may obstruct the air circulation through them.

To help you use your refrigerator correctly, here are some more useful hints:

Raw meat: place it in the meat box.

Meat can only be stored safely in this way for one or two days at the most.

Fruit & vegetables: these should be thoroughly cleaned and placed in the bottom salad crispers.

Butter & cheese: these should be placed in special airtight containers or wrapped in aluminium foil or polythene bags to exclude as much air as possible.

Milk bottles: these should have a cap and should be stored in the bottle rack on the door.

Defrosting

The freezer compartment of this model is of the «frost-free» type. This means that no frosting occurs on the inner walls of the compartment or on food during operation.

The absence of frosting is achieved by constant circulation of cold air inside the compartment, produced by an automatic fan blower.

In the case of the refrigerator, frost is automatically eliminated from the evaporator every time the motor compressor stops, during normal use.

The water produced by defrosting flows away - in the case of both the freezer and refrigerator compartments - through special drainage grooves into a container positioned in the back of the appliance above the compressor where it then evaporates.

MAINTENANCE

Prior to undertaking any maintenance operation, be sure to unplug the appliance from the wall socket as a safety precaution.

Clean the interior periodically with lukewarm water and some bicarbonate of soda; the cabinet exterior with a Silicone wax spray; the condenser and the motor compressor with a brush or a vacuum cleaner.

The defrost water drain hole of the fridge compartment should be cleaned at regular intervals. To do this, use the special cleaner provided, which you will find already inserted in the discharge hole (Fig. 8).

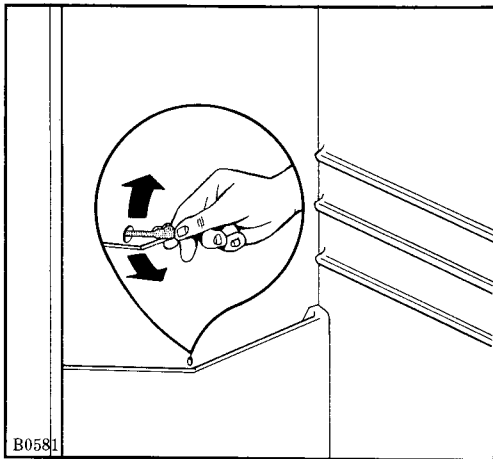


Fig. 8

During periods when the appliance is not in use, take the following precautions:

- unplug the appliance from the power supply;
- remove all foodstuffs from the appliance;
- clean the interior and all accessories;
- leave the door ajar to facilitate the circulation of air in the interior of the cabinet so as to prevent unpleasant odours from accumulating in the appliance.

SERVICING

Should service be required for this appliance, contact your local ZANUSSI Service Force Centre.

Before requesting service the following simple checks may save you inconvenience and expense:

If there are water drops on the bottom of the fridge compartment, check that the defrost water drain opening is not obstructed.

Check that the plug is firmly in the wall socket.

Check that there is an electricity supply to the socket by plugging in another appliance and operating it.

Replacing the interior light bulb

Prior to undertaking this operation, be sure to unplug the appliance from the wall socket as a safety precaution.

If the interior light does not come on when the door is opened, you will need to gain access to the interior light bulb. To do this, remove the bulb housing cover by unscrewing the screw and by sliding it out (Fig. 9). Check that the bulb is correctly screwed into its socket. If it is burnt out, replace with a similar 10W bulb. Replace the cover by sliding it back in. Fasten it by means of the previously removed screw.

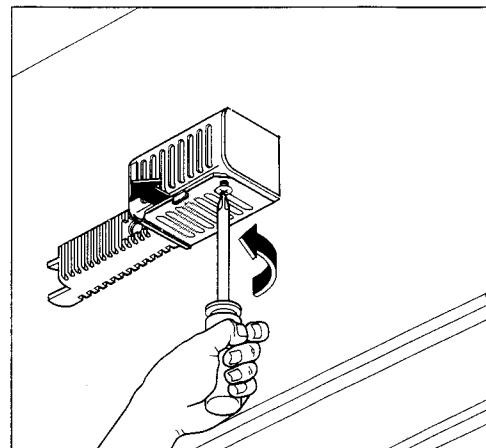


Fig. 9

Spare bulbs can be obtained from your local ZANUSSI Service Force Centre.

If it is felt that the compressor may be faulty turn the thermostat knob to the coldest setting and, leaving the door open also for a few minutes, listen to check if the motor then runs and see if the evaporator of the fridge compartment frosts over. If the motor still does not run or frost does not form on the evaporator contact your ZANUSSI Service Agent.

In-guarantee customers should ensure that the above checks have been made as the engineer will make a charge if the fault is not a mechanical or electrical breakdown.

Please note that proof of purchase is required for any in-guarantee service calls.

**How to find the telephone number of
your
Zanussi Service Force
listed in this leaflet**

Zanussi Service areas are allocated by postcodes which are listed in alphabetical order for easy reference.

1. Look for the two letters of your address postcode in the far left 'Postcode' column.
2. Match up the number of your postcode against the number listed in the 'Postcode Numbers' column.
3. Look across the column to the Service Force Key Number for your area. Turn to the last page of this directory for the address and telephone number to contact for service which is listed against your key number.

If you are unsure of your postcode, the main towns and cities are listed in alphabetical order for easy reference.

Additionally, your local Zanussi Service Force Centre telephone number is listed under 'Z' in your telephone directory.

The Customer Care Department at Zanussi House, Hambridge Road, Newbury, RG14 5EP, Tel: 0635 521313, will be happy to help you with any queries or difficulties.

For Service in the Republic of Ireland

The telephone number of your service centre can be found in your Local Telephone Directory under "Elektro Service" or "Zanussi". The information can also be found in the Golden Pages under "Electrical Appliances - Repairing".



| Post-code Letter | Town | Post-code Number | Service Force Key Number | Post-code Letter | Town | Post-code Number | Service Force Key Number |
|------------------|-------------|----------------------|--------------------------|------------------------------|---------------|-----------------------|--------------------------|
| AB | Aberdeen | 1-5, 22-23, 30-38 | 1 | DG | Dumfries | 1-7, 10-12, 14 | 34 |
| AB | | 41-45, 51-56 | 1 | DG | | 8-9 | 34 |
| AL | St Albans | 1-10 | 2 | DG | Dumfries | 13 | 35 |
| A | Brecon | 45 | 3 | DH | Durham | 1-9 | 37 |
| BA | Bath | 1-5, 11-15 | 4 | DL | Darlington | 1-17 | 37 |
| BA | | 7-10, 20-22 | 5 | DN | Doncaster | 1-7, 10-12, 22 | 33 |
| BA | | 6, 16 | 6 | DN | | 14 | 38 |
| BB | Blackburn | 1-12 | 7 | DN | Doncaster | 8-9, 15-21, 31-40 | 39 |
| BD | Bradford | 1-23 | 8 | SUB POSTCODE DIVISION | | | |
| BD | | 24 | 7 | DN | Gainsborough | | |
| BH | Bournemouth | 1-25 | 9 | | South | 21-1, 21-2, 21-5 | 40 |
| BL | Bury | 0-9 | 11 | DN | Gainsborough | | |
| BN | Brighton | 1-15, | 12 | | North | 21-3, 21-4 | 39 |
| BN | | 20-27 | 12 | DT | Dorchester | 1-5, 10-11 | 9 |
| BN | | 16-18 | 13 | DT | | 6-9 | 5 |
| BR | Bromley | 1-8 | 14 | SUB POSTCODE DIVISION | | | |
| BS | Bristol | 1-28, 88-89 | 15 | DT | Bridport East | 6-3, 6-4 | 5 |
| BT | Belfast | 1-82 | 16 | DT | Bridport West | 6-5, 6-6 | 5 |
| B | Birmingham | 1-21, 25-33, 38, 40, | 17 | DY | Dudley | 1-6, 8-9 | 17 |
| B | | 45, 47-48, 60-71 | 17 | DY | | 7, 10-14 | 41 |
| B | | 80, 90-94, 97-98 | 17 | EC | London | All EC Codes | 28 |
| B | Birmingham | 23-24, 34-37, | 18 | EH | Edinburgh | 1-42, 46, 52-54 | 42 |
| B | | 42-44, 46, 72- | 18 | EH | | 43-45 | 35 |
| B | | 79 | 18 | EH | Edinburgh | 47-49, 51, 55 | 43 |
| B | Birmingham | 49-50, | 20 | EN | Enfield | 1-11 | 28 |
| B | | 96 | 19 | EX | Exeter | 1-17, 20 | 45 |
| B | Birmingham | 95 | 20 | EX | | 18-23, 31-39 | 46 |
| CA | Carlisle | 1-28 | 21 | E | London | All East Codes | 28 |
| CB | Cambridge | 1-8 | 22 | FK | Falkirk | 1-4 | 43 |
| CB | | 9-11 | 23 | FK | | 10-14, 18-19 | 32 |
| CF | Cardiff | 1-8, 31-48 | 3 | FK | Falkirk | 5-9, 15-17 | 47 |
| CH | Chester | 1-4 | 24 | FK | | 20-21 | 31 |
| CH | | 5-7 | 25 | FY | Fleetwood | 0-8 | 7 |
| CH | | 8 | 26 | GCI | Guernsey | | 48 |
| CM | Chelmsford | 0-6, 8-9, 11-15 | 27 | GL | Gloucester | 1-19, | 49 |
| CM | | 7 | 23 | GL | | 50-56 | 49 |
| CM | Chelmsford | 16-24 | 28 | GL | | 20 | 19 |
| CO | Colchester | 1-16 | 23 | GU | Guildford | 1-24, 26, 34-35 | 50 |
| CR | Croyden | 0-9 | 29 | GU | | 25 | 51 |
| CT | Canterbury | 1-21 | 36 | GU | Guildford | 27-33 | 13 |
| CV | Coventry | 1-8, 10-12, 21-23, | 20 | G | Glasgow | 1-5, 11-15, 20-23, | 47 |
| CV | | 9, 13 | 18 | G | | 31-34, 40-46, 51- | 47 |
| CV | Coventry | 31-37 | 20 | G | Glasgow | 53, 58, 60-69, 73, | 47 |
| CW | Crewe | 1-12 | 30 | G | | 76-78, 81-84 | 47 |
| DA | Dartford | 1-18 | 29 | G | Glasgow | 71-72, 74-75 | 43 |
| DD | Dundee | 1-5, 7-11 | 31 | HA | Harrow | 0-9 | 2 |
| DD | | 6 | 32 | HD | Huddersfield | 1-8 | 8 |
| DE | Derby | 1-3, 6-7, 13-15 | 10 | | | | |
| DE | Derby | 11-12 | 18 | | | | |
| DE | Derby | 4-5, 55 | 33 | | | | |

| Post-code Letter | Town | Post-code Number | Service Force Key Number | Post-code Letter | Town | Post-code Number | Service Force Key Number |
|------------------------------|--------------------|--------------------|--------------------------|------------------|-------------------|-----------------------|--------------------------|
| HG | Harrogate | 1-5 | 8 | ME | Medway | 3 | 29 |
| HP | Hemel | 1-3 | 2 | ME | | 1-2, 4-20, 99 | 36 |
| HP | Hempstead | 4-23 | 53 | MK | Milton Keynes | 1-17, 19, 40-46 | 22 |
| HR | Hereford | 1-2, 4, 6-9 | 49 | MK | | 18 | 65 |
| HR | | 3, 5 | 54 | ML | Motherwell | 1-12 | 43 |
| HU | Hull | 1-20, 55 | 38 | M | Manchester | 1-35, 60 | 11 |
| HX | Halifax | 1-7 | 8 | NE | Newcastle-on-Tyne | 1-49, 61-70, 88 | 66 |
| IG | Ilford | 1-11 | 28 | NE | | 98-99 | 66 |
| IOM | Isle of Man | | 55 | NE | | 71 | 35 |
| IP | Ipswich | 1-15, 30-31 | 56 | NG | Nottingham | 1-14 | 10 |
| IP | | 16-27 | 57 | NG | | 15-22, 25 | 33 |
| IP | Ipswich | 28-29, 32-33 | 22 | NG | Nottingham | 23-24 | 40 |
| IV | Inverness | 1-24, 26, 30-36, | 58 | NG | | 31-34 | 64 |
| IV | | 40-49, 51-56 | 58 | NN | Northampton | 1-7, 11-12 | 67 |
| IV | Inverness | 25, 27-28 | 59 | NN | | 8-10, 14-18 | 22 |
| JCI | Jersey | | 60 | NN | Northampton | 13 | 65 |
| KA | Kilmarnock | 1-26, 28-30 | 43 | NP | Newport | 1-9, 44 | 3 |
| KA | | 27 | 61 | NR | Norwich | 1-35 | 57 |
| KA | | 28 | 68 | NW | London | All NW Codes | |
| KT | Kingston-on-Thames | 1-23 | 51 | | | Except 2, 4, 7, 9, 10 | 52 |
| KT | | 24 | 50 | NW | London | 2, 4, 7, 9, 10 | 2 |
| KW | Wick | 1-14 | 59 | N | London | All N Codes | 28 |
| KW | | 15-17 | 62 | OL | Oldham | 1-12, 15-16 | 11 |
| KY | Kirkcaldy | 1-16 | 32 | OL | | 13-14 | 7 |
| LA | Lancaster | 1-23 | 7 | OX | Oxford | 1-17 | 65 |
| LD | Llandrindod | 1-8 | 54 | PA | Paisley | 1-4 | 47 |
| LD | | 3 | 3 | PA | | 5-19 | 43 |
| LE | Leicester | 1-5, 7-8, 11-14, | 63 | PA | Paisley | 20-27 | 68 |
| LE | | 16-17 | 63 | PA | | 28-29, 41-49, 60-61 | 69 |
| LE | Leicester | 6, 9-10 | 63 | PA | | 30-40 | 70 |
| LE | | 15 | 64 | PA | | 62-78 | 68 |
| LL | Llandudno | 11-15 | 25 | PA | Paisley | 80-82, 88 | 71 |
| LL | | 16-19 | 26 | PA | | 83-87 | 72 |
| LL | Llandudno | 20-21, 23, 27, 31- | 25 | PE | Peterborough | 1-15, 34, 38 | 64 |
| LL | | 32, 34-40, 42-47 | 25 | PE | | 16-19 | 22 |
| LL | Llandudno | 22, 24-26, 28-30, | 26 | PE | Peterborough | 20-25 | 40 |
| LL | | 33-34, 41, 48-49, | 26 | PE | | 30-33, 35-37 | 57 |
| LL | | 51, 78 | 26 | PH | Perth | 1-2, 8-9, 10-18 | 31 |
| LN | Lincoln | 1-6, 8-10 | 40 | PH | | 3-7 | 32 |
| LN | | 7, 11-13 | 39 | PH | Perth | 19-26, 30-44 | 58 |
| SUB POSTCODE DIVISION | | | | PL | Plymouth | 1-21 | 73 |
| LN | Lincoln | 3-4, 3-5 | 40 | PL | | 22-35 | 74 |
| LN | | 3-6 | 39 | PO | Portsmouth | 1-22 | 13 |
| LS | Leeds | 1-29 | 8 | PO | I.O.W. | 30-41 | 75 |
| LU | Luton | 1-6 | 2 | PR | Preston | 1-9 | 7 |
| LU | | 7 | 22 | RG | Reading | 1-17, 26 | 53 |
| L | Liverpool | 1-49, 60-70 | 24 | RG | | 21-25, 27 | 50 |
| | | | | RG | Reading | 28 | 4 |
| | | | | RH | Redhill | 1-3, 6-7, 9-20 | 12 |

| Post-code Letter | Town | Post-code Number | Service Force Key Number | Post-code Letter | Town | Post-code Number | Service Force Key Number |
|------------------|--------------|----------------------|--------------------------|------------------|---------------|-----------------------|--------------------------|
| RH | | 4-5 | 50 | TN | Tonbridge | 3, 5-7 | 12 |
| RH | Redhill | 8 | 29 | TQ | Torquay | 1-6, 9, 12-13 | 78 |
| RM | Romford | 1-5, 7, 10-18 | 27 | TQ | | 7-8 | 73 |
| RM | | 6, 8-9 | 28 | TQ | | 14 | 45 |
| SA | Swansea | 1-18, 31-32 | 3 | TR | Truro | 1-27 | 74 |
| SA | | 33-39, 41-44, 61-73 | 76 | TS | Stockton-on- | | |
| SA | Swansea | 19-20, 40, 45-48 | 77 | | Tees | 1-29 | 37 |
| SE | London | All SE Codes | 14 | TW | Twickenham | 1-20 | 51 |
| SG | Stevenage | 1-9, 11, 15 | 2 | UB | Uxbridge | 1-10 | 2 |
| SG | | 10, 12-14 | 28 | WA | Warrington | 1-5, 8-9, 10-15 | 11 |
| SG | Stevenage | 16-19 | 22 | WA | | 6-7 | 24 |
| SK | Stockport | 1-3, 6-12 | 30 | WA | Warrington | 16 | 30 |
| SK | | 4-5, 13-16 | 11 | WC | London | All WC Codes | 44 |
| SK | Stockport | 17 | 33 | WD | Watford | 1-2, 4-7 | 2 |
| SL | Slough | 1-10 | 53 | WD | | 3 | 53 |
| SM | Sutton | 1-3, 7 | 51 | WF | Wakefield | 1-17 | 8 |
| SM | | 4-6 | 29 | WN | Wigan | 1-5, 7 | 11 |
| SN | Swindon | 1-8, 11-16 | 65 | WN | | 6, 8 | 24 |
| SN | | 9-10 | 4 | WR | Worcester | 1-14 | 19 |
| SO | Southampton | 1, 4, 41-43, 51 | 9 | WR | | 15 | 41 |
| SO | | 2-3, 5, 21-24, 52 | 13 | WS | Walsall | 1-15 | 18 |
| SO | Southampton | 20 | 4 | WV | Wolverhampton | 1-4, 10-14 | 18 |
| SP | Salisbury | 1-5, 9-11 | 4 | WV | | 5-9, 15-16 | 41 |
| SP | | 6 | 9 | W | London | All West Codes | 52 |
| SP | Salisbury | 7-8 | 9 | | | Except 1-14 | |
| SR | Sunderland | 1-7, 9 | 66 | W | London | 3, 4, 5, 7, 13 | 2 |
| SR | | 8 | 37 | W | London | 1-2, 6, 8-12, 14 | 44 |
| SS | Southend-on- | | | YO | York | 1-3, 5, 7-8 | 8 |
| | Sea | 0-9, 11-17, 99 | 27 | YO | | 4, 6, 11-18, 25 | 38 |
| ST | Stoke-on- | | | YO | York | 21-22 | 37 |
| | Trent | 1-18, 20-21 | 30 | ZE | Lerwick | 1, 3 | 79 |
| ST | | 19 | 18 | ZE | | 2 | 80 |
| SW | London | 2, 4, 8-9, 12, 16-17 | 14 | | | | |
| SW | London | 1, 3, 5-7, 10-11 | 44 | | | | |
| SW | London | 13-15, 18 | 44 | | | | |
| SW | London | 19-20 | 51 | | | | |
| SY | Shrewsbury | 1-6, 9-17, 18-22 | 25 | | | | |
| SY | | 7, 17-19 | 54 | | | | |
| SY | Shrewsbury | 8 | 41 | | | | |
| SY | | 23-25 | 77 | | | | |
| S | Sheffield | 1-19, 30-31, 40-45 | 33 | | | | |
| S | | 60-66, 74, 80-81 | 33 | | | | |
| S | Sheffield | 70-73, 75 | 8 | | | | |
| TA | Taunton | 1-11, 21-24 | 6 | | | | |
| TA | | 12-20 | 5 | | | | |
| TD | Selkirk | 1-15 | 35 | | | | |
| TF | Telford | 1-8, 10-13 | 41 | | | | |
| TF | | 9 | 30 | | | | |
| TN | Tonbridge | 1-2, 4, 8-11, 13-16 | 29 | | | | |
| TN | Tonbridge | 12, 17-19, 23-40 | 36 | | | | |

| Service Force Key Number | Service Force Address | Telephone Number | Service Force Key Number | Service Force Address | Telephone Number |
|--------------------------|---|------------------|--------------------------|--|------------------|
| 1 | 60 Commerce Street, Aberdeen, AB2 1BP | 0224 583949 | 40 | Unit 14 Stonefield Park, Clifton Street, Lincoln | 0522 532330 |
| | or Tel: | 0224 582704 | 41 | 1 Underhill Street, Bridgnorth, Salop, WV16 | 0746 763322 |
| 2 | Unit 4, Riverside Est, Coldharbour Ln, Harpenden | 0582 461909 | 42 | 38 Buccleuch Street, Dalkeith, Midlothian, EH22 | 031 663 7758 |
| 3 | 3 Pentwyn Road, Blackwood, Gwent, Sth Wales | 0495 223151 | 43 | Block 2 Unit 5, Auchenraith Ind. Est. Rosendale Way, Blantyre | 0698 828145 |
| 4 | 31 St Andrews Road, Bemerton, Salisbury, SP2 | 0722 336072 | 44 | 4 Royal Lane, Yiewsley, W-Drayton, UB7 | 0895 441917 |
| 5 | 3 Bancombe Ct. Trad. Est., Martock, Yeovil, TA12 | 0935 822836 | 45 | 91 Exeter Road, Exmouth, Devon, EX8 1QD | 0395 263531 |
| 6 | 6 Hamp Ind Est. Bridgwater, Somerset, TA6 3NT | 0278 424550 | 46 | Unit 4, Upcroft Ave, Pottington Ind Est, Barnstaple | 0271 71774 |
| 7 | 333 Ranglest Road, Walton Summit, Preston, PR5 | 0772 321200 | 47 | Unit E6C Anniesland Ind. Est. Netherton Rd, Glasgow, Scotland | 041 954 5304 |
| 8 | 57 Ingram Road, Holbeck, Leeds, Yorks, | 0532 460992 | | or Tel: | 041 954 5349 |
| 9 | 63 Curzon Road, Bournemouth, BH1 4PW | 0202 303363 | 48 | Blencathra, Saumarez Lane, Castel, Guernsey | 0481 56854 |
| 10 | Unit 2, Furnace Road, Ilkeston, Derbyshire | 0602 442770 | 49 | 134 Eastgate Street, Gloucester, GL1 1QT | 0452 422488 |
| 11 | Unit 41/42 Clarendon Ct, Winwick Quay, W'ton | 0925 50822 | 50 | Unit 1 Redfields Ind. Pk, Church Crookham, Fleet | 0252 851414 |
| 12 | Unit 3, 21/25 Bridge Road, Haywards Heath, RH1 | 0444 417656 | 51 | 127 Walton Road, Molesey, Surrey, KT8 0DT | 081 9796366 |
| 13 | 266 Main Road, Southbourne, Emsworth, PO10 | 0243 374814 | | or Tel: | 081 9797962 |
| | or Tel: | 0243 371170 | 52 | Unit 4, Riverside Est, Coldharbour Ln, Harpenden | 0582 461909 |
| 14 | 9, Bourne Road, Bromley, Kent, BR2 9PB | 081 313 9533 | 53 | Reform Road, Maidenhead, Berkshire | 0628 783711 |
| 15 | Unit 1, Albert Crescent, Bristol, BS2 0YH | 0272 713217 | 54 | Merion House, High Street, Llandrindod Wells | 0597 824842 |
| 16 | Owenmore Hse, Kilwee Ind. Est., Upper Dunmurry Lane, Belfast | 0232 301121 | 55 | South Quay Industrial Estate, Douglas, I.O.M. | 0624 622114 |
| 17 | 66 Birch Rd East, Wyreley Rd Ind. Est, B'ham | 021 327 1671 | 56 | Unit 2b, Eiton Park Business Centre, Hadleigh Rd, Ipswich, IP2 0DQ | 0473 211713 |
| 18 | Unit 3 Sterling Park, Claymore, Tamworth | 0827 289800 | 57 | 75 Grove Road, Norwich, NR1 3RL | 0603 629653 |
| | or Tel: | 0827 289822 | 58 | Unit 3B3, Smithton Ind. Est. Smithton, Inverness | 0463 791822 |
| 19 | 22 Newton Road, Malvern, Worcester, WR141NZ | 0684 572915 | 59 | Drummuie Road, Golspie, Sutherland, KW10 6SY | 0408 633517 |
| 20 | Unit 23/24, Alliance Business PK, Townsend Drv, Nuneaton, CV11 | 0203 350666 | 60 | P.O.Box 45, Queens Road, St Helier, Jersey | 0534 67001 |
| 21 | High Ehenside, Egremont, Cumbria, CA22 | 0946 820509 | 61 | Bruach, Blackwaterfoot, Isle of Arran | 077 086 246 |
| 22 | 1 Wharf Road, Higham Ferrers, Northants | 0933 317727 | 62 | Hatson Ind. Estate, Kirkwall, Orkney | 0856 5457 |
| 23 | Unit 2b, Eiton Park Business Centre, Hadleigh Road, Ipswich, IP2 1 DQ | 0473 211713 | 63 | 75 St Marys Road, Market Harborough, Leics | 0858 433229 |
| 24 | Unit 14, Dock Road, Birkenhead, L41 1JJ | 051 639 1287 | 64 | Pinfold Rd, Manning Rd Ind. Est. Bourne, Lincs | 0778 422147 |
| 25 | Plas Fynnon W/house, Middleton Rd, Oswestry | 0691 652917 | 65 | Unit E19, Telford Rd, Launton Ind. Est. Bicester | 0869 248598 |
| 26 | Easy Launderette, Pantton Hall, Denbigh, Clwyd | 0745 81 3272 | 66 | Unit C1, Bergen Cl, Tyne Tunnel Trad. Estate, North Shields, Tyne & Wear | 091 2960166 |
| 27 | 19 Sirdar Rd, Off Brook Rd, Rayleigh, Essex | 0268 741171 | 67 | 53 Sandringham Road, Northampton, NN1 | 0604 37061 |
| 28 | 284 Alma Road, Enfield, EN3 | 081 805 6825 | 68 | 96 Argyll Street, Dunoon, Argyll, PA23 7NE | 0369 2147 |
| 29 | Unit B4, Imperial Bus. Estate, Gravesend, Kent | 0474 353771 | 69 | Inverasdale, Gallow Hill Rd, Cambeltown, Argyll | 0586 553753 |
| 30 | Unit 8, Croft Road, Newcastle under Lyme, Staffs, ST5 0TW | 0782 713003 | 70 | Moss Field Workshop, Moss Field Drive, Oban | 0631 664530 |
| 31 | 3-7 Blackness Street, Dundee, Scotland, DD1 | 0382 642828 | 71 | 2 Killweivagh, Gregory, Benbecula, Outer Hebrides | 0870 2331 |
| | or Tel: | 0382 455862 | 72 | Churchouse, 16 James St, Stormaway, Isle of Lewis | 0851 705555 |
| | or Tel: | 0382 826809 | 73 | 16 Faraday Mill, Cattedown, Plymouth, PL4 | 0752 257455 |
| 32 | 33a Burnside, Auchtermuchty, Fife, Scotland | 0337 28807 | 74 | 80 Killigrew Street, Falmouth, Cornwall, TR11 | 0326 314600 |
| 33 | Unit 63, Storforth Ln Trad. Est. Chesterfield | 0246 231790 | 75 | 111 Hunnyhill, Newport, Isle of Wight | 0983 523062 |
| 34 | 93 Irish Street, Dumfries, Scotland | 0387 69694 | 76 | Roch, Haverfordwest, Dyfed | 0437 710366 |
| 35 | 2-8 Wood Market, Kelso, Borders, TD5 7AX | 0573 24411 | 77 | Unit 16, Llambod Ind. Est., Lampeter, SA48 | 0570 423424 |
| 36 | Unit 2, Bridge Rd Bus. Centre, Bridge Road Ashford, Kent, TN23 1BB | 0233 613463 | 78 | 278 Torquay Road, Preston, Paighton | 0803 529969 |
| 37 | 8 Cumbie Way, Aycliffe Ind. Est. Newton Aycliffe | 0325 300606 | 79 | 3-4 Carlton Place, Lerwick, Shetland, ZE1 | 0595 2915 |
| 38 | Unit 1, Boulevard Unit Fact. Est. Hull, HU3 4AY | 0482 223335 | 80 | Harlsdale, Symbister, Whalasaay, Shetland | 08066 546 |
| 39 | Unit 2, Cromwell Road, Grimsby, DN31 2BN | 0472 358760 | 81 | London House, Victoria Str., Alderney | 048182 3563 |

PEACE OF MIND FOR TWELVE MONTHS

Zanussi guarantee conditions

This guarantee is in addition to your statutory and other legal rights which will not be excluded or in any way diminished by the return of this guarantee card.

We, Zanussi Ltd., undertake that if, within twelve months of the date of the purchase, this ZANUSSI appliance or any part thereof is proved to be defective by reason only of faulty workmanship or materials, we will, at our option, repair or replace the same **FREE OF ANY CHARGE** for labour, materials or carriage on condition that:

- * The appliance has been correctly installed and used only on the electricity supply stated on the rating plate.
- * The appliance has been used for normal domestic purposes only, and in accordance with the manufacturer's operating and maintenance instructions.
- * The appliance has not been serviced, maintained, repaired, taken apart or tampered with by any person not authorised by us.
- * The appliance is still in the possession of the original purchaser.

All service work under this guarantee must be undertaken by a Zanussi Service Force Centre.

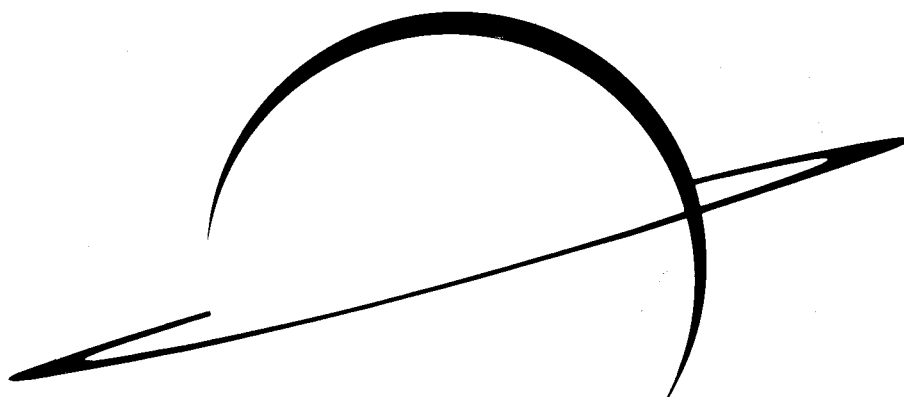
Home visits are made between 8.30 am and 5.30 pm Monday to Friday. Visits may be available outside these hours in which case a premium will be charged.

Any appliance or defective part replaced shall become our property.

Exclusions

This guarantee does not cover:

- * Damage or calls resulting from transportation, improper use or neglect, the replacement of any light bulbs or removable parts of glass or plastic.
- * Costs incurred for calls to put right machines improperly installed or calls to machines outside the UK and the Republic of Ireland.
- * Appliances found to be in use within a commercial or similar environment, plus those which are the subject to rental agreements.
- * Products of Zanussi manufacture which are NOT marketed by Zanussi Ltd.
- * EEC Countries - The standard guarantee is applicable but subject to the owner's responsibility and cost to ensure the appliance meets the standards set by the country to which the product is taken. The Zanussi company in the country concerned will be pleased to advise further. Sight of your purchase receipt will be required by them.



ZANUSSI

The appliance of science

Zanussi Ltd., Zanussi House, Newbury

The information in this manual is correct at time of going to press.
Zanussi reserve the right to alter specifications without notice.